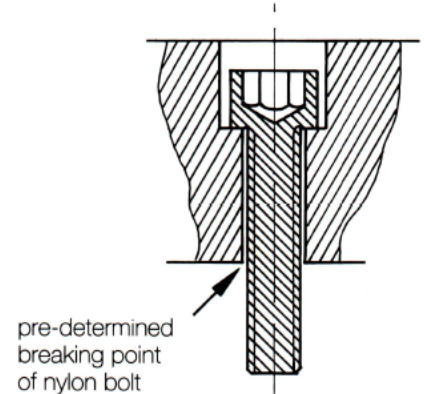
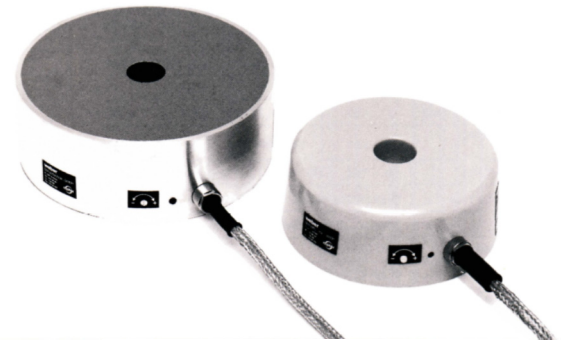


proxi-captor products are rugged, inductive proximity switches which have been especially conceived for installation in harsh industrial environments. The simple nylon Allen bolt mounting of both proxi-captor series protects the units from serious mechanical damage in the event of a collision by breaking cleanly. Designed for heavy industrial applications the proxi-captors are fully resin encapsulated and constructed of durable material; types 2040.xx, 2080.xx, and 2100.xx are housed in resilient ABS plastic, types 2045.xx and 2090.xx have an aluminium housing designed for flush mounting. The high frequency oscillator in the proxi-captor is detuned when metal components approach and subsequently drives a switching stage via a trigger amplifier to give a reliable switching signal. The proxi-captor can be applied wherever switching distances vary, high switching frequencies occur or large sensing distances are concerned and where high repeatability is required.

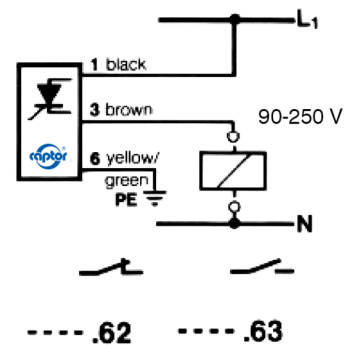
- compact and remote
- self-adjusting and adjustable proximity switches
- fully encapsulated
- no moving parts
- rugged aluminium or ABS plastic housings
- ISO 9001:2015

proxi-captor inductive proximity switches for contactless switching tasks in heavy industry, simple to install with center fixing bolt, adjustable switching range, short circuit protected, fully encapsulated electronics. These proxi-captors are available in different electrical versions for AC or DC applications with thyristor, antivalent transistor or other outputs on request.

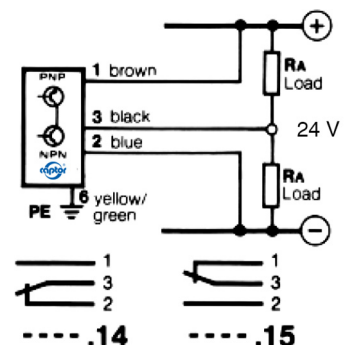


Connection diagram

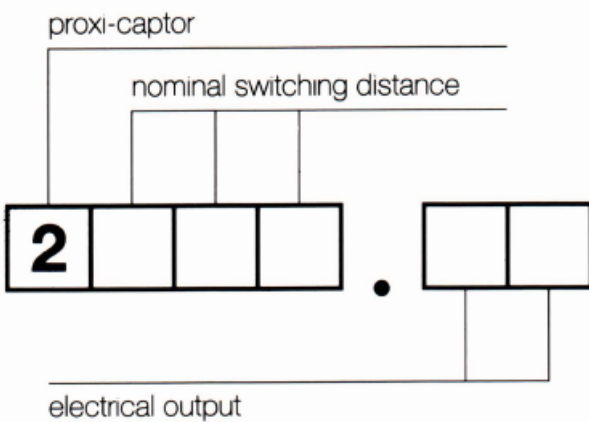
AC thyristor output



DC transistor output



Type code



| Electrical data | | | | | |
|------------------------------------|---|---------------------|----------------------|-----------------|-------------|
| | AC | | | DC | |
| Type | .62 | .63 | .14 | .15 | |
| output | thyristor | | | transistor | |
| Output function | n.c. | n.o. | NPN n.c. | PNP n.o. | NPN n.o. |
| Supply voltage | 90 - 250 V | | | 24 V | |
| Power consumption | approx. 0,45 VA open at 220 V | | | approx. 0.6 W | |
| Voltage drop | approx. 9,5 V at 30 mA | | | 2.5 V at 400 mA | |
| Trip point for overload protection | approx. 350 mA | | | approx. 550 mA | |
| Switching current | 5 - 200 mA | | | max. 400 mA | |
| Mechanical data | | | | | |
| Type | 2040.xx | 2080.xx | 2100.xx | 2045.xx | 2090.xx |
| Installation | Center hole mounting with nylon Allen bolt | | | | |
| Mounting screws | M 12 x 50 | M 12 x 50 | M 16 x 70 | M 12 x 80 | M 16 X 90 |
| Connection | oilflex | oilflex | silicon amoured | | |
| Cable/moulded | 0,5 mm ² | 0,5 mm ² | 0,75 mm ² | | |
| Connection plug | watertight connection plug, UL approved available | | | | |
| Mass | 350g | 800g | 2300g | 1300g | 4400g |
| Dimensions in mm (dxh) | 75 x 35 | 110 x 45 | 163 x 63 | 100 x 52 | 200 x 70 |
| Nominal switching distance | 40 mm | 80 mm | 100 mm | 45 mm | 90 mm |
| Correction factors | Fe= 1.0; CrN1 = 0.85; Brass = 0.54; Al= 0.5; Cu= 0.46 | | | | |
| Vibration and shock | in accordance with DIN 57 4 11 | | | | |
| Hysteresis | approx. 10 % of switching distance | | | | |
| Housing material | ABS plastic | | | aluminium | |
| Protection standard | IP 65 / DIN 400 50 | | | | |
| Function indicator | LED | | | | |
| Ambient temperature | -1 0 °C to + 65 °C (14 °F to 148 °F) | | | | |
| Repeatability | better than 1 % | | | | |
| Short circuit protection | max. 1 short circuit / s | | | | |
| Custom-made models | on request | | | | |

Dimensions (cf. above)

