

## Inline flow-captor 432x.40/.41M

The Inline flow-captor type 432x.40/.41M is a family of compact, precise metering flow switches with analog display in a rugged stainless steel housing. They operate based on the calorimetric principle. The flow-captor allows to set an exact flow set-point and will measure simultaneously the flow rate up to the lowest flow conditions.

- Precise switching flow monitor for water or oil-based solutions
- High accuracy also under low flow conditions
- Separate adjustment for "range" and "set-point"
- Analog display of actual flow rate and display of adjusted set-point value
- LED display for output status
- **ISO 9001: 2015**



Technical data				
Typ	<b>4320.40/.41M</b>		<b>4321.40/.41M</b>	
Medium	water based		oil-based	
Sensor data *1				
Measuring range	0 - 20 cm/s to 0 - 300 cm/s, cont. adjust <sup>1)</sup>		0 - 30 cm/s to 0 - 300 cm/s, cont. adjust <sup>2)</sup>	
Flow rate at 300 cm/s	8x1: 5.1 l/min.; 12x1: 14.1 l/min.; 18x1.5: 31.8 l/min.; 22x1.5: 51.0 l/m.			
Flow rate max.	28 x 1.5 mm 88.36 l/min at 300 cm/s		28 x 1.5 mm 58.9 l/min at 200 cm/s	
Set-point range	approx. 15 % - 90 % of measuring range setting			
Medium temperature	-20 °C to +80 °C			
Ambient temperature	-20 °C to +70 °C			
Pressure	max. 30 bar			
Response time	2 sec. - 10 sec., according to range setting		2 sec. - 15 sec., according to range setting	
Linearity deviation	< 5 % <sup>1)</sup>		< 5 % <sup>2)</sup>	
Repeatability	< 2 %			
Hysteresis	approx. 10 %			
Temperature drift	< 0.3 % K			
Mechanical data				
Protection class	IP 67			
Material housing	stainless steel WN 1.4404 / AISI 316 L			
Sensor pipe	stainless steel WN 1.4571 (316 Ti), (other material on request)			
Pipe dimensions (mm) (diameter x wall thickness/ length)	8x1/200,	12x1/200,	18x1.5/200,	22x1.5/200, 28x1.5/200
Electrical connection	2 m oilflex cabel / 6 x 0.5 mm <sup>2</sup>			
Electrical data				
Operating voltage	18 - 30 VDC			
Switching current	≤ 5 A (120 VAC), ≤ 3A (250 VAC), max. 5A 150W at VDC			
Initial operation	approx. 10 sec. after connection of power			
Electrical output	Relay with potential free contact			
Flow < set-point	.40		.41	
- LED, green	off		off	
- Output relay	activated		not activated	

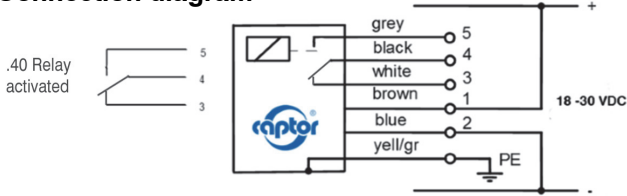
<sup>1)</sup> all data relate to medium water <sup>2)</sup> calibrated with insulation oil type "Shell Diala"

# Metering flow switch with analog display

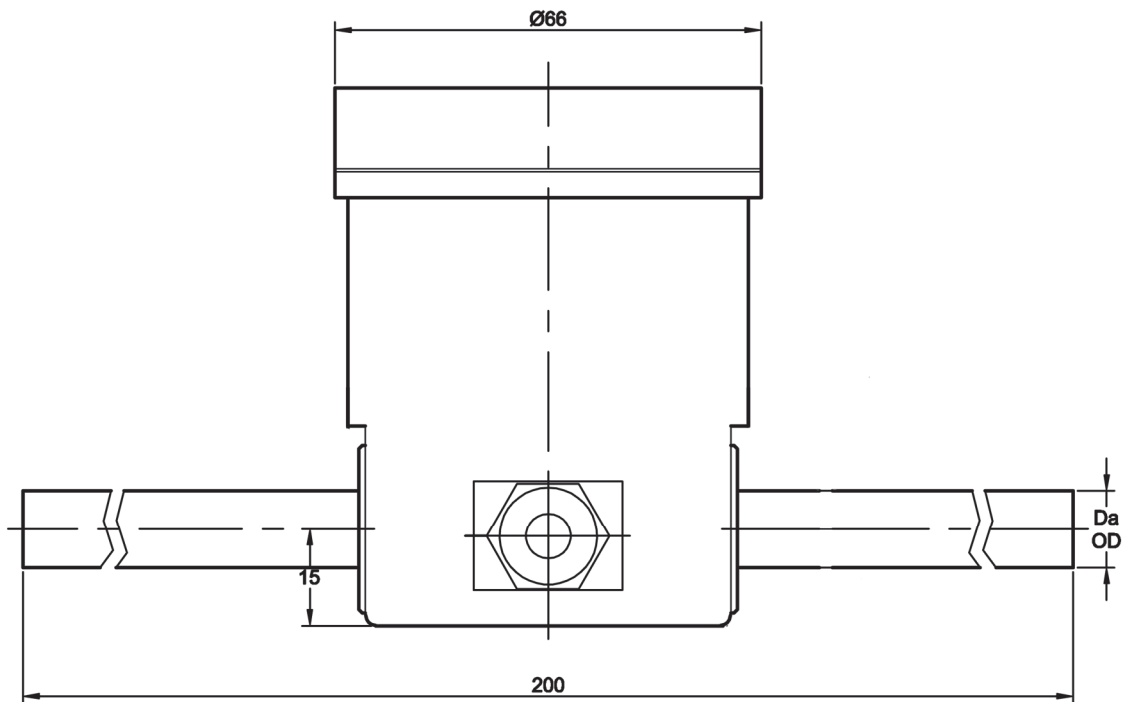
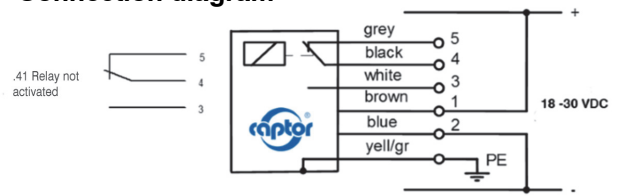


## Inline flow-captor 432x.40/.41M

Connection diagram



Connection diagram



**weber**

Sensors GmbH Strohdeich 32

Sensors Ltd. 66 Eastbourne Road, Southport

Sensors LLC. 4462 Bretton Court, Building 1, Suite 7

DE-25377 Kollmar

Merseyside PR8 4DU, UK

Acworth, Georgia 30101, USA

Tel.: +49 (0)4128 - 591 · Fax: - 593

Tel.: +44 (1704) - 551684 · Fax: - 551297

Tel.: +1 (770) 592 - 6630 · Fax: - 592 6640

[www.captor.de](http://www.captor.de)

[info@captor.de](mailto:info@captor.de)

[sales@captor.co.uk](mailto:sales@captor.co.uk)

[sales@captor.com](mailto:sales@captor.com)

Technical data subject to alteration! Rev. AD 24.04.20