

Self-contained flow-meter



flow-captor 4311.30M/xx

The **inline flow-captor** type 4311.30M is a flow meter for industrial applications. The compact unit is self-contained and needs no additional parts. The stainless steel pipe itself, running through the center of the inline flow-captor, is the actual sensor element. According to a calorimetric principle a small part of this pipe is electrically heated, such that it is marginally above the temperature of the medium. This heat flow, depending on the flow speed of the medium, is measured electronically and provides an output signal linear and proportional to the flow speed.



- Self-contained flow meter for measurement and control applications
- Suitable for liquids, semi-solids and a wide range of corrosive media
- Separate adjustment for „range“ and „zero-point“
- LED display for output status
- **ISO 9001:2015**

Technical Data		
Typ	4311.30M/xx	
Medium	liquids, pastes (corrosive media which are compatible with the sensor tube material)	
Sensor Data *1		
Measuring range	0-20 cm/s to 0-100 cm/s, cont. adjustable *	
Medium temperature	- 10°C to + 80°C	
Ambient temperature	- 10°C to + 60°C	
Response time	2-10 s. according to measuring conditions	
Linearity deviation	< 0,5% (best fitting slope)	
Repeatability	< 2%	
Temperature-drift	< 0,3%/K	
Mechanical Data		
Protection class	IP67	
Operation pressure	max. 30 bar	
Material housing	stainless steel AISI 303	
Material of sensor tube	stainless steel AISI 316Ti , Titanium or Hastelloy C4/C22 on request	
Torsion	max. 5 Nm at medium and ambient temperature <40°C	
Tube to housing	At higher temperatures not torsion allowed	
Housing dimensions	Sensor tube	Housing
	8 x 1 (diameter x wall thickness)	65 x 50 x 35 (LxWxH)
	12 x 1 ; 18 x 1,5 (diameter x wall thickness)	65 x 98 x 37 (LxWxH)
	22 x 1,5; 28 x 1,5 (diameter x wall thickness)	80 x 120x55 (LxWxH)
Electrical connection	2 m oilflex cable	
Electrical Data		
Operating voltage	24 VDC ±10%	
Current consumption	max. 100 mA	
Output current	4 - 20 mA	
Resistive load	0 - 600 Ohm	
LED indication	green LED, within the range: ON; beyond the range: OFF)	

*1) data relate to water

weber

Sensors GmbH · Strohdreich 32 · D-25377 Kollmar · Tel.: +49 4128-591 · Fax: -593 eMail: info@captor.de

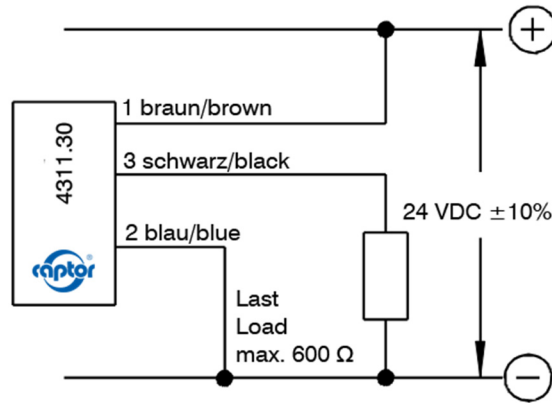
Technical data subject to alteration! · Rev. AE / 28.03.17

Self-contained flow-meter

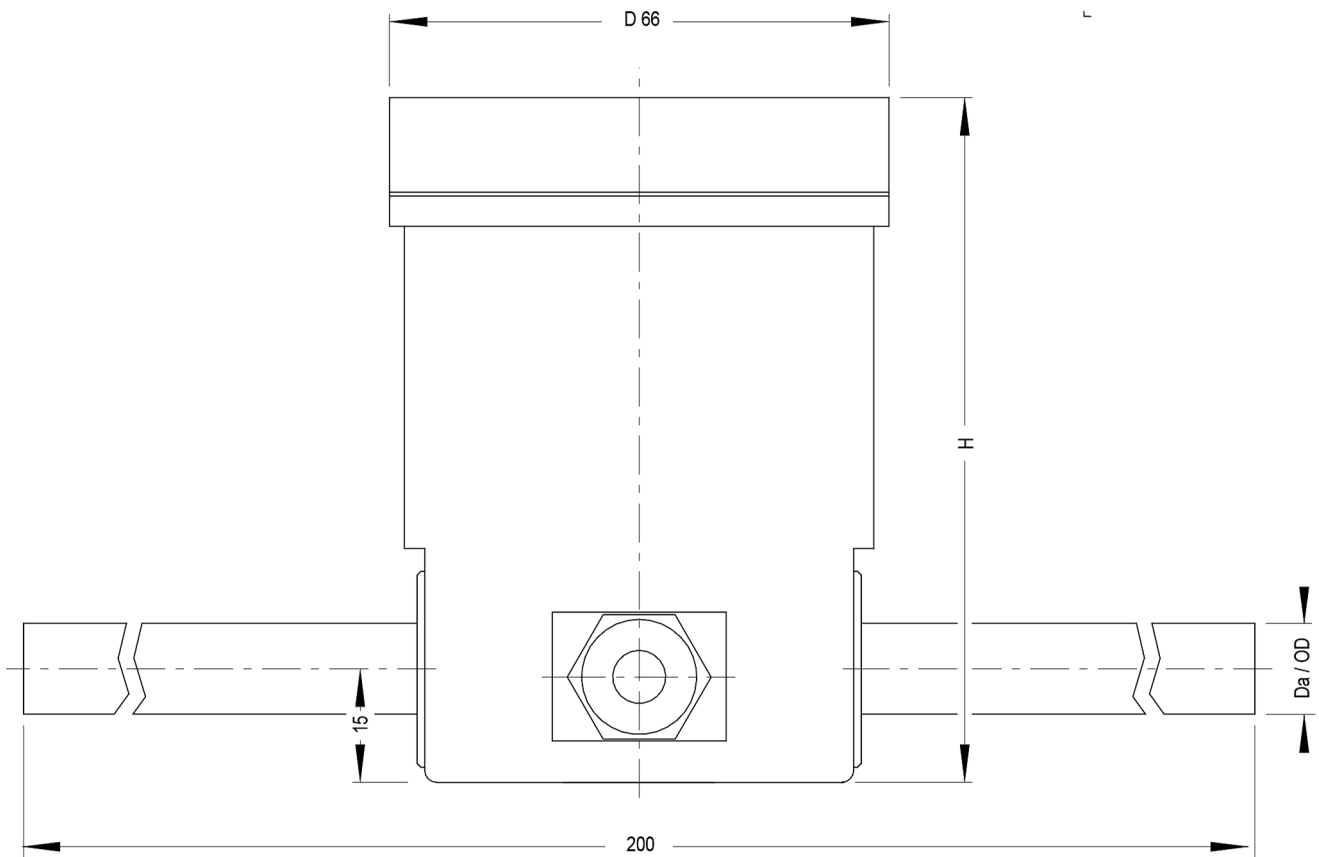
flow-captor 4311.30M/xx



Anschlussdiagramm: / connection diagram:



Gehäuseabmessungen Dimensions



weber

Sensors GmbH · Strohdreich 32 · D-25377 Kollmar · Tel.: +49 4128-591 · Fax: -593 eMail: info@captor.de

Technical data subject to alteration! · Rev. AE / 28.03.17