

Flow and temperature meter for oil-based liquids



flow-captor 4205 / 4053.31

The flow-captor type 4205, together with the separate electronic unit type 4053.31, monitors flow as well as temperature of oil-based liquids up to a medium temperature of 100 °C.

The non-intrusive flow-captor sensor with stainless steel housing can easily be mounted by using the related conical fitting and for fixing by the Union nut (M36x2).

The sensor transmits the pulsed flow signal and the analog temperature signal to the transducer where the signals are converted into separate analog output voltages.

The flow-captor operates according to the calorimetric principle, which is unsurpassed by other sensing technologies, where the ruggedness and reliability quality of the flow-captor cannot be matched.

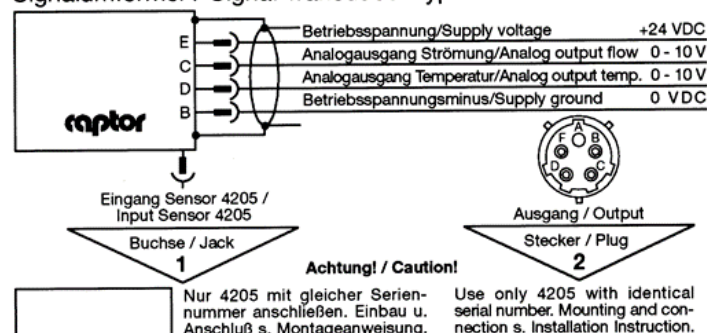


- Simple to install
- Flow and temperature meter for oil-based liquids
- No moving parts, non-intrusive sensing
- Stainless steel housing and sensing surface
- ISO 9001 : 2015

Technical Data		
Type	4205 / 4053.31	
Medium	oil-based solutions	
Sensor Data Type 4204		
Housing	stainless steel, WN 1.4305	
Union nut	M36x2	
Sensor Connection	50 cm shielded 5 x 0,5 mm ² (Tenius –tw / semc)	
Connector	5-pin male plug (Cannon)	
Temperature of medium	-20 °C to +100 °C	
Flow measuring range	0-400 cm/s (related to oil, type Shell Diala D)	
Electrical Data (Electronic unit) Type 4053.31		
Protection class	IP65	
Housing	aluminium, chromized	
Supply voltage	24 V DC ± 10%	
Power consumption	2 W typical, max. 3 W	
Ambient temperature	-20 °C to +70 °C	
captor-connection	5-pin female socket (Cannon)	
Output / supply connection	4 -pin male socket (Cannon)	
Output / supply connector	cable, 2 m length *, with one female plug (Cannon)	
Output	Temperature	Flow
Measuring range **	-20 °C to +100 °C ***	0 to 400 cm/s***
Analog output	0-10 V	0-10 V
Curve	linear	no linearization

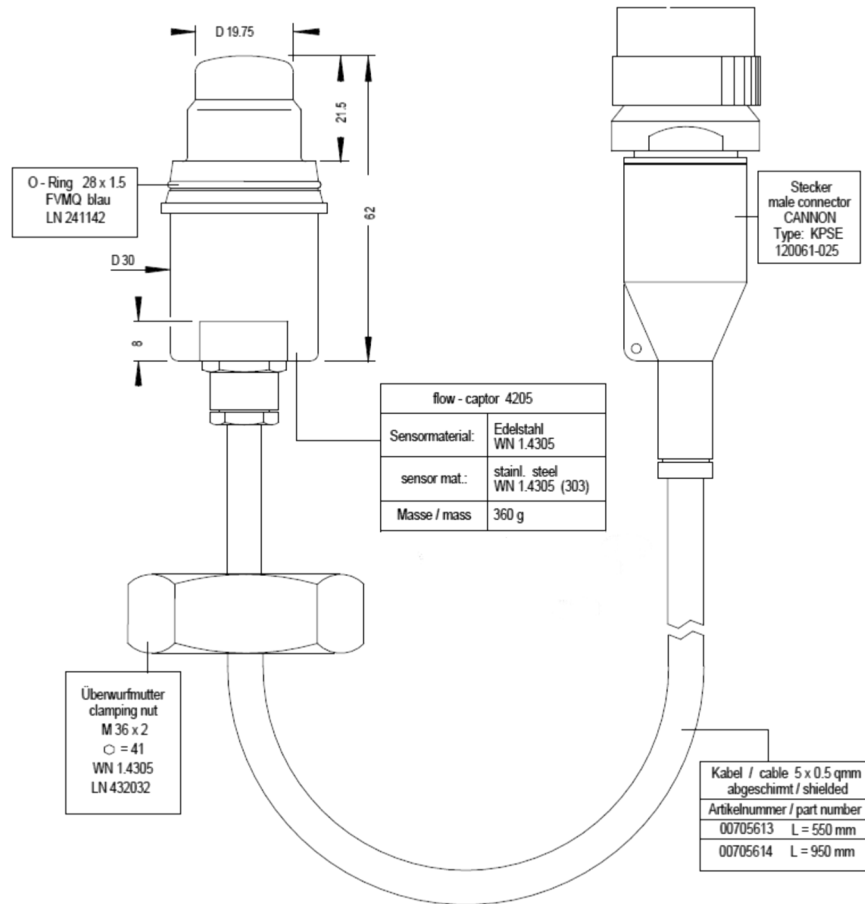
flow-captor

Signalumformer / Signal Transducer Type 4053.31

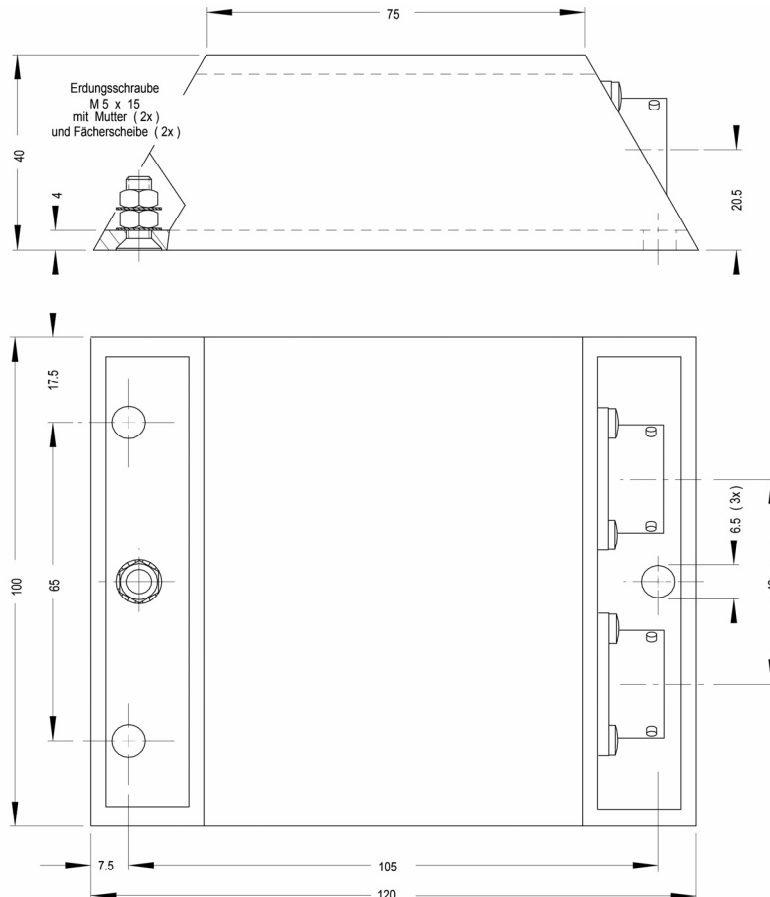


Flow and temperature meter for oil-based liquids

flow-captor 4205 / 4053.31



Dimensions



weber