

## Precise flow switch



### flow-captor 412x.42M/.43M

The **flow-captor** type 412x.42/.43M is a family of compact, precise flow switches with analog display in a rugged stainless steel housing. They operate based on the calorimetric principle which is evaluated by using microprocessor technology. The flow-captor allows to set an exact flow set-point and will display simultaneously the flow rate up to the lowest flow conditions.

- precise switching flow monitor for water or oil based solutions up to 100 bar
- high accuracy also under low flow conditions
- separate adjustment for „range“ and „set-point“
- analog display of actual flow rate and display of adjusted set-point value
- LED display for output status
- **ISO 9001:2015**



Technical Data		
Typ	4120.42M/.43M	4121.42M/.43M
Medium	water-based solutions	oil-based solutions
Sensor Data		
Measuring range	0-20 cm/s to 0-300 cm/s, cont. Adjust <sup>1)</sup>	0-30 cm/s to 0-300 cm/s, cont. Adjust <sup>2)</sup>
Set-point range	approx. 15% - 90% of measuring range setting	
Medium temperature	- 20°C to + 80°C	
Ambient temperature	- 20°C to + 70°C	
Pressure	max. 100 bar (1000 Kpa)	
Response time	2s - 10s, according to range setting	2s -15s, according to range setting
Linearity deviation	< 5% <sup>1)</sup>	< 5% <sup>2)</sup>
Repeatability	< 2%	
Hysteresis	approx. 10%	
Mechanical Data		
Protection class	IP67	
Material housing	stainless steel AISI 303	
Material of sensor probe	stainless steel AISI 303; (A: AISI 316Ti; B: Titanium; C: Hastelloy® C4; or D: Hastelloy® C22 on request)	
Thread	G 1/2" BSP alt. 1/2" - 14 NPT	
Housing dimensions ODxH	OD 66 X H 109/69	
Electrical connection	M12 male socket, 4-pin, connection cable (4941) must be ordered separately	
Electrical Data		
Operating voltage	18 - 30 VDC	
Switching voltage	max. 60VDC	
Switching current	<25° C max. 300mA - 70° C max. 220mA	
Initial operation	approx. 10s after connection of power	
Electrical output	optocoupler	
Flow < set-point	.42	.43
- LED, green	off	off
- Output	n.c.	n.o.

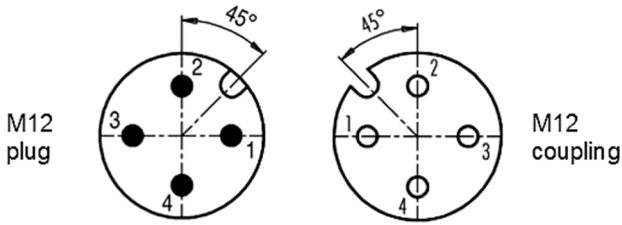
<sup>1)</sup> data relate to water <sup>2)</sup> calibrated with insulating oil type "Shell Diala"

# Precise flow switch

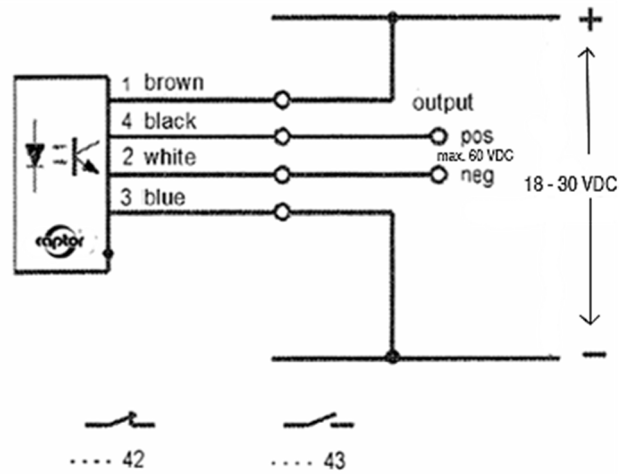


## flow-captor 412x.42M/.43M

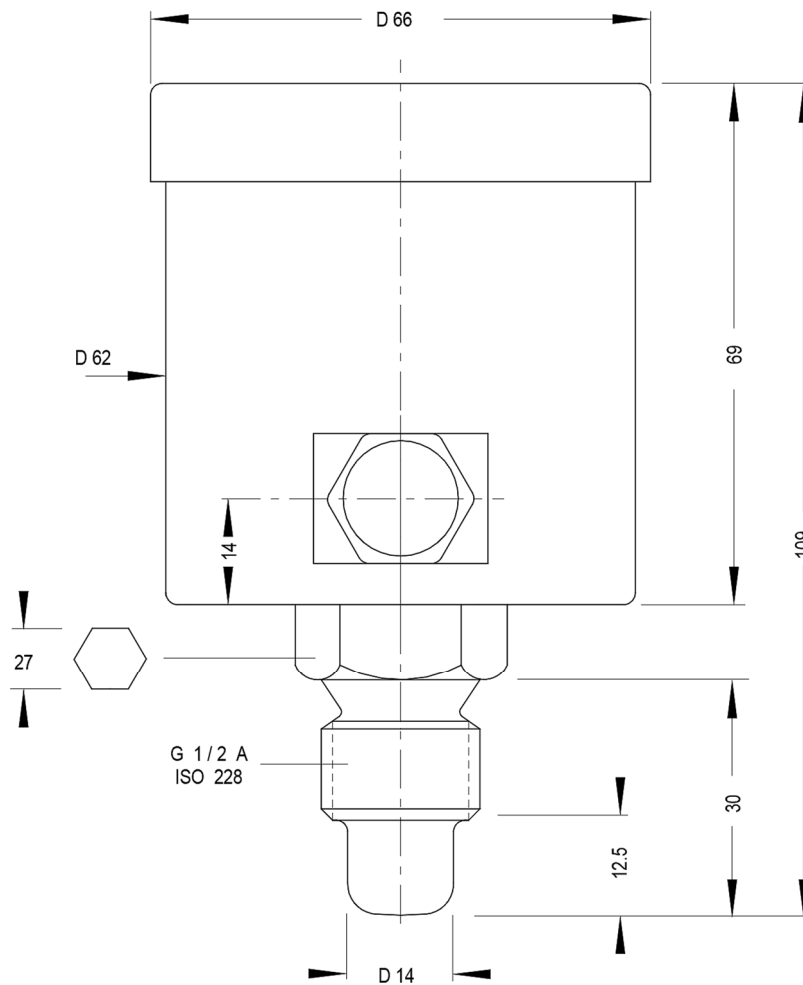
Face view of pins and male



Connection diagram



Abmessungen / Dimensions



**weber**