

# Flow meter for liquid and pasty media



## flow-captor 4115.30

The flow-captor 4115.30 is a flow meter for industrial applications which can be installed virtually non-intrusively into any pipe without obstruction of the pipe diameter. This flow-captor operates accordingly to a new developed calorimetric principle providing a wide measuring range. Completely epoxy resin encapsulated this flow-captor is a compact, rugged, shock and vibration resistant sensor with proven reliability and long-term stability, even under the most harsh environmental conditions.

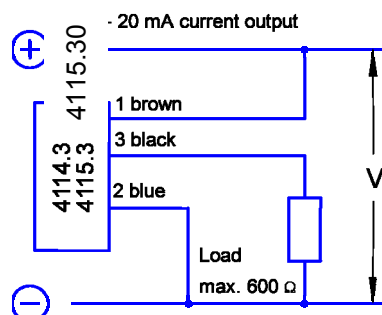


- Precise flow meter for water based media
- Adjustable measuring range
- New calorimetric principle without moving parts
- Linear current output 4 – 20 mA
- Housing and sensor head stainless steel WN 1.4305 / AISI 303
- **ISO 9001:2008** certified manufacturing

Technical Data	
Typ	4115.30
Medium	Liquid and pasty media (aggressive media on request)
Sensor Data *1	
Measuring range	Continuously adjustable from 0 - 20 cm/s to 0 - 200 cm/s *
Set-point range	Zero point and range adjustment by potentiometer
Medium temperature	- 10°C to + 80°C
Ambient temperature	- 10°C to + 60°C
Pressure	Max. 30 bar
Response time	2 -10 s depends on measuring conditions
Linearity deviation	< 5% best fitting slope
Repeatability	< 2%
Temperature drift	< 0,3% / K
Mechanical Data	
Protection class	IP65
Material housing / sensor	stainless steel WN 1.4305 / AISI 303 (other material on request)
Material of sensor probe	FP (Viton)
Mounting accessories	Union nut G1A, SW 37 mm (stainless steel WN 1.4305 / AISI 303)
Electrical connection	2 m moulded oilflex cable 3 x 0,5 mm <sup>2</sup>
Dimensions	see drawing 704314
Electrical Data	
Operating voltage	24 VDC ±10%
Current consumption	approx. 100 - 200 mA (at max. flow)
Current output	4 - 20 mA
Load	Max. 600Ω

\*1) data relate to water

Connection diagram:



**weber**