

Inline flow monitor for medium gas



vent-captor 3302.30/xx

The **inline vent-captor** type **3302.30** is a compact air meter for industrial applications, ideal for small diameters. The operating principle is based on the calorimetric principle. The inline vent-captor is completely resin encapsulated, thus rugged, shock and vibration proof.

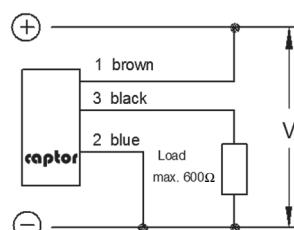


- Small pipe diameters
- Ideally suited to small flow volume
- Temperature compensated
- Compact, no additional parts
- Linear current output 4 - 20 mA
- LED - output current range display
- Rugged industrial version
- **ISO 9001 : 2015**

Technical Data				
Typ	3302.30/xx			
Medium	Gaseous (aggressive media on request) ¹ all data related to air at normal pressure (1 atm _{abs})			
Sensor Data * ¹				
Measuring range	0 - 5 m/s	0 - 10 m/s	0 - 20 m/s	0 - 30 m/s
Measuring range adjustment	continually adjustable from 20 % to 100 % of the special measuring range 2 potentiometers (zero point, range)			
Linearity deviation	< 5 % (best fitting slope)			
Repeatability tolerance	< 3%			
Medium temperature	-20 °C to +70 °C			
Ambient temperature	-20 °C to +70 °C			
Pressure	10 bar			
Temperature drift	< 0,3 % / K			
Mechanical data				
Protection class	IP 65			
Material sensor pipe	Stainless steel WN 1.4571 / AISI 316Ti			
Dimensions in mm sensor pipe	8x1 / 12x1 / 18x1,5 / 22x1,5 / 28x1,5 (diam. x wall thickness)			
Torsion between pipe and housing	no torsion allowed			
Material sensor probe	Ceramic, platinum with overglaze			
Material housing	Makrolon®			
Electrical connection	2 m oilflex cabel / 3 x 0,5 mm ²			
Electrical data				
Operating voltage	24 VDC ±10%			
Output current	4 – 20 mA			
Current consumption	approx. 4.3W - 5,3 W (max. flow)			
Switching current	4 - 20 mA			
Load	0 - 600 Ω			

*¹ all data relate to medium air normal pressure

Connection diagram:



weber

Sensors GmbH Strohdeich 32
Sensors Ltd. 66 Eastbourne Road, Southport
Sensors LLC. 4462 Bretton Court, Building 1, Suite 7

DE-25377 Kollmar, Germany Tel.: +49 (0)4128 - 591 · Fax: - 593
Merseyside PR8 4DU, UK Tel.: +44 (1704) - 551684 · Fax: - 551297
Acworth, Georgia 30101, USA Tel.: +1 (770) 592 - 6630 · Fax: - 592 6640

www.captor.de
info@captor.de
sales@captor.co.uk
sales@captor.com

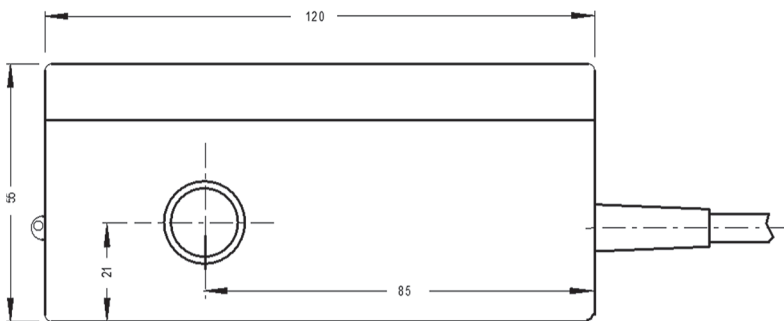
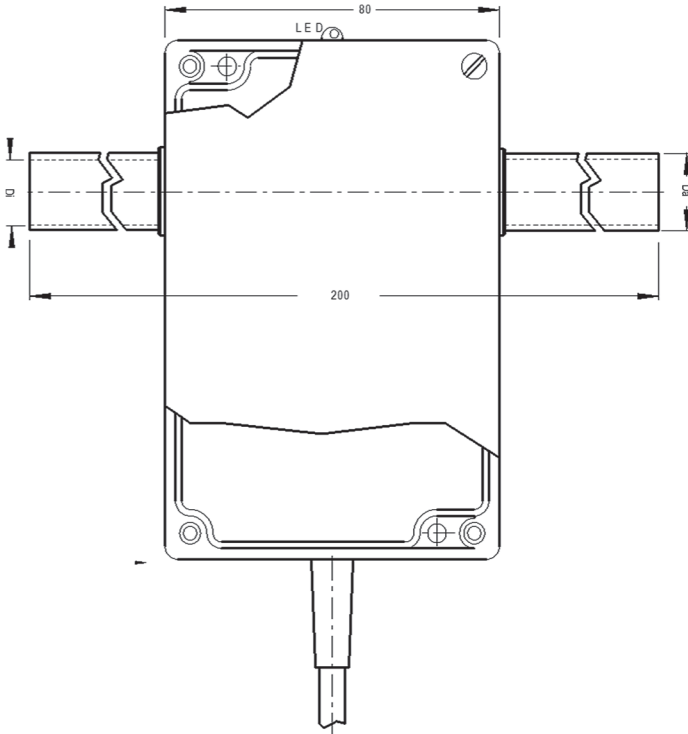
Technical data subject to alteration! Rev. AD 14.01.22

Inline flow monitor for medium gas

vent-captor 3302.30/xx



Dimension:



Note

Please specify pipe diameter with order.

OD x thickness	8 x 1
	12 x 1
	18 x 1,5
	22 x 1,5
	28 x 1,5

Matl. of pipe: WN 1.4571/AISI 316 Ti

Output	Type	OD	ID
Switch	3302.12	8	6
		12	10
		18	15
		22	19
		28	25
	3302.13	8	6
		12	10
		18	15
		22	19
		28	25
Analog	3302.3x	8	6
		12	10
		16	15
		22	19
		28	25
Frequency	3302.21	8	6
		12	10
		18	15
		22	19
		28	25

weber

Sensors GmbH Strohdeich 32
 Sensors Ltd. 66 Eastbourne Road, Southport
 Sensors LLC. 4462 Bretton Court, Building 1, Suite 7

DE-25377 Kollmar, Germany Tel.: +49 (0)4128 - 591 · Fax: - 593
 Merseyside PR8 4DU, UK Tel.: +44 (1704) - 551684 · Fax: - 551297
 Acworth, Georgia 30101, USA Tel.: +1 (770) 592 - 6630 · Fax: - 592 6640

www.captor.de
 info@captor.de
 sales@captor.co.uk
 sales@captor.com

Technical data subject to alteration! Rev. AD 14.01.22