

Inline flow monitor for gaseous media



vent-captor 3302.30/xx S161 (pressure up to 16 bar)

The **inline vent-captor** type **3302.30** is a compact air meter for industrial applications, ideal for small diameters. The operating principle is based on the calorimetric principle. The inline vent-captor is completely resin encapsulated, thus rugged, shock and vibration proof.

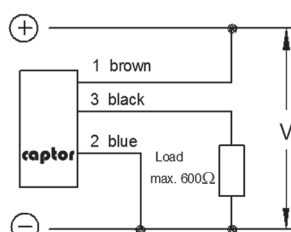


- Small pipe diameters
- Ideally suited to small flow volume
- Temperature compensated
- Compact, no additional parts
- Linear current output 4 - 20 mA
- LED - output current range display
- Rugged industrial version
- **ISO 9001 : 2015**

Technical Data	
Typ	3302.30/xx S161
Medium	gaseous (aggressive media on request) ¹ all data related to air at normal pressure (1 atm _{abs})
Sensor Data *1	
Measuring range	0 - 5 m/s 0 - 10 m/s 0 - 20 m/s 0 - 30 m/s
Measuring range adjustment	continually adjustable from 20 % to 100 % of the special measuring range 2 potentiometers (zero point, range)
Linearity deviation	< 5 % (best fitting slope)
Repeatability tolerance	< 3%
Medium temperature	-20 °C to +70 °C
Ambient temperature	-20 °C to +70 °C
Pressure	16 bar
Temperature drift	< 0,3 % / K
Mechanical data	
Protection class	IP 65
Material sensor pipe	Stainless steel WN 1.4571 / AISI 316Ti
Dimensions in mm sensor pipe	8x1 / 12x1 / 18x1,5 / 22x1,5 / 28x1,5 (diameter x wall thickness)
Torsion between pipe and housing	no torsion allowed
Material sensor probe	ceramic, platinum with overglaze
Material housing	Makrolon®
Electrical connection	2 m encapsulated oilflex cabel / 3 x 0,5 mm ²
Electrical data	
Operating voltage	24 VDC ±10%
Output current	4 – 20 mA
Current consumption	approx. 4.3W - 5,3 W (max. flow)
Switching current	4 - 20 mA
Load	0 - 600 Ω

*1 all data relate to medium air normal pressure

Connection diagram:



weber

Sensors GmbH Strohdeich 32
Sensors Ltd. 66 Eastbourne Road, Southport
Sensors LLC. 4462 Bretton Court, Building 1, Suite 7

DE-25377 Kollmar, Germany Tel.: +49 (0)4128 - 591· Fax: - 593
Merseyside PR8 4DU, UK Tel.: +44 (1704) - 551684 · Fax: - 551297
Acworth, Georgia 30101, USA Tel.: +1 (770) 592 - 6630 · Fax: - 592 6640

www.captor.de
info@captor.de
sales@captor.co.uk
sales@captor.com

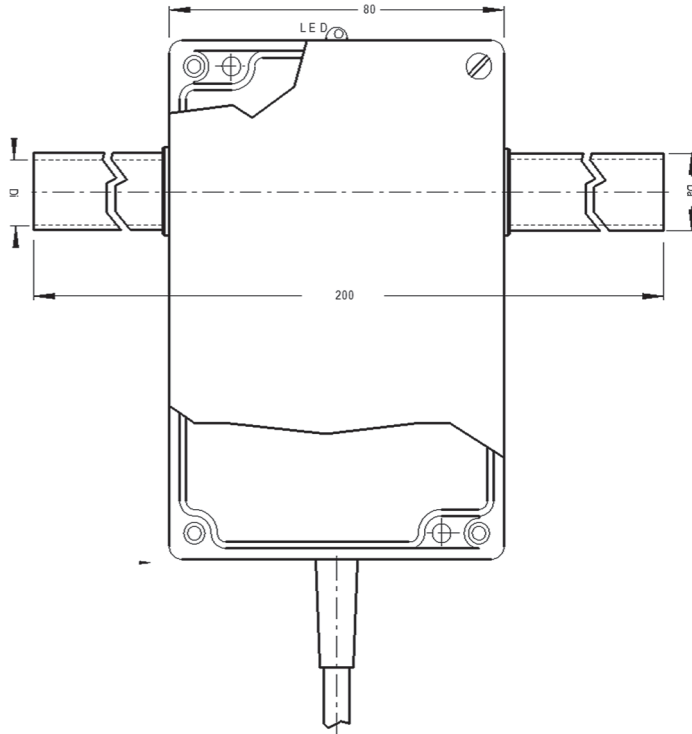
Technical data subject to alteration! Rev. AD 14.01.22

Inline flow monitor for gaseous media



vent-captor 3302.30/xx S161 (pressure up to 16 bar)

Dimension:

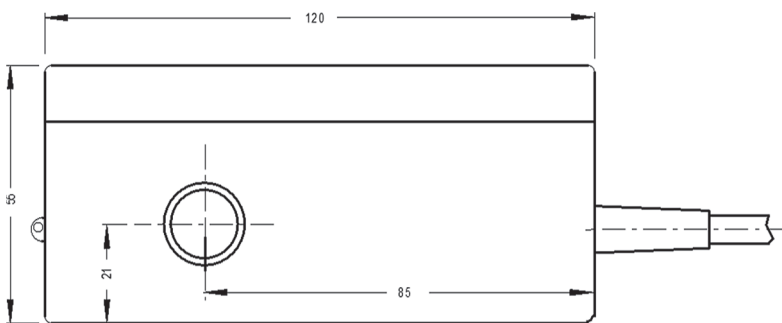


Note

Please specify pipe diameter with order.

OD x thickness	8 x 1
	12 x 1
	18 x 1,5
	22 x 1,5
	28 x 1,5

Matl. of pipe: WN 1.4571/AISI 316 Ti



Output	Type	OD	ID
Switch	3302.12	8	6
		12	10
		18	15
		22	19
		28	25
	3302.13	8	6
		12	10
		18	15
		22	19
		28	25
Analog	3302.3x	8	6
		12	10
		16	15
		22	19
		28	25
Frequency	3302.21	8	6
		12	10
		18	15
		22	19
		28	25

weber

Sensors GmbH Strohdeich 32

Sensors Ltd. 66 Eastbourne Road, Southport

Sensors LLC. 4462 Bretton Court, Building 1, Suite 7

DE-25377 Kollmar, Germany

Merseyside PR8 4DU, UK

Acworth, Georgia 30101, USA

Tel.: +49 (0)4128 - 591 · Fax: - 593

Tel.: +44 (1704) - 551684 · Fax: - 551297

Tel.: +1 (770) 592 - 6630 · Fax: - 592 6640

www.captor.de

info@captor.de

sales@captor.co.uk

sales@captor.com

Technical data subject to alteration! Rev. AD 14.01.22