

Inductive proximity switches



Self-adjusting or adjustable

proxi-captor 28xx, 2400.xx/2500.xx, 2250, 2350.xx

These proxi-captors are rugged inductive proximity switches designed for application in extreme environments typical of those to be found in heavy industry, especially in the steel industry.

The proxi-captor is available either as a compact unit (coil 28xx and electronics 2250.xx/2350.xx) or as a remote system existing of coil 28xx, coil adapter 2800 and electronics 2400.xx/2500.xx. Distance between coil adapter and electronics may be max. 10 m.

Available versions of the electronics are adjustable types 2400.xx, 2250.xx and self-adjusting types 2500.xx and 2350.xx.

The self-adjusting property tunes out the effects of surrounding stationary steelwork in the response area which would normally serve to operate standard types of switch and allows installation in applications which have previously proved problematic.

- fully encapsulated aluminium housing
- self-adjusting or adjustable
- ambient temperatures up to 200 °C
- custom-made with replaceable coil
- remote operation possible
- **ISO 9001:2015**



Construction	aluminium, fully encapsulated	
Coil material	10 mm solid copper wire with Ermeto connections	
Supply connection cable	2 m silicone armoured cable	
Coaxial connection cable	up to 10 m Teflon coaxial with protective metal tubing	
Vibration and shock	in accordance with DIN 574 11	
Life span	depends on switching frequency	
Ambient temperature	-20 °C to +70 °C (-6 °F to +158 °F) remote coil: max. 200 °C (392 °F)	
Protection standard	IP 65 / DIN 400 50	
Type	----.52 ----.53 (see connection diagram)	----.14 ----.15 (see connection diagram)
Power supply	115/ 230 VAC	24 VDC
Output	thyristor	transistor
Switching current	200 mA	500 mA
Power consumption	approx. 1 VA	approx. 1 W
Electronics type	2250.xx, 2400.xx	2350.xx, 2500.xx
Setting of switching distance	adjustment by potentiometer	self-adjusting
Switching distance	depends on shape and coil size	
Correction factors	Steel = 1; CrNi = 0.85; Brass = 0.54; Al = 0.5; Cu = 0.46	
Repeatability	approx. 1 % of switching distance	

weber

Sensors GmbH Strohdeich 32
Sensors Ltd. 66 Eastbourne Road, Southport
Sensors LLC. 4462 Bretton Court, Building 1, Suite 7

DE-25377 Kollmar
Merseyside PR8 4DU, UK
Acworth, Georgia 30101, USA

Tel.: +49 (0)4128 - 591 · Fax: - 593
Tel.: +44 (1704) - 551684 · Fax: - 551297
Tel.: +1 (770) 592 - 6630 · Fax: - 592 6640

www.captor.de
info@captor.de
sales@captor.co.uk
sales@captor.com

Technical data subject to alteration! Rev. AE 11.11.19

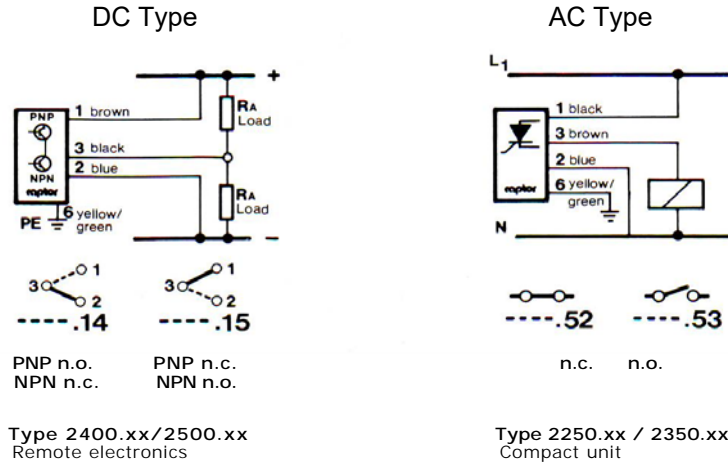
Inductive proximity switches

Self-adjusting or adjustable

proxi-captor 28xx, 2400.xx/2500.xx, 2250, 2350.xx

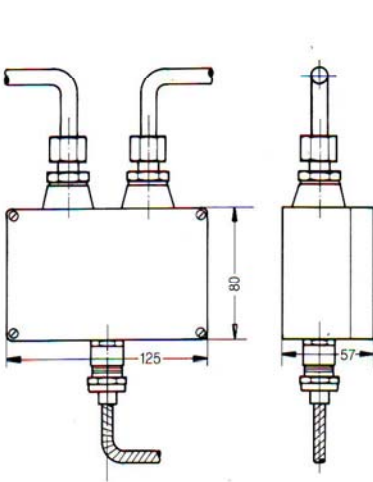


Connection diagram:

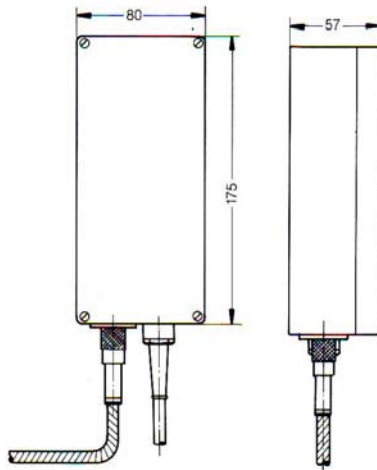


Dimensions (mm)

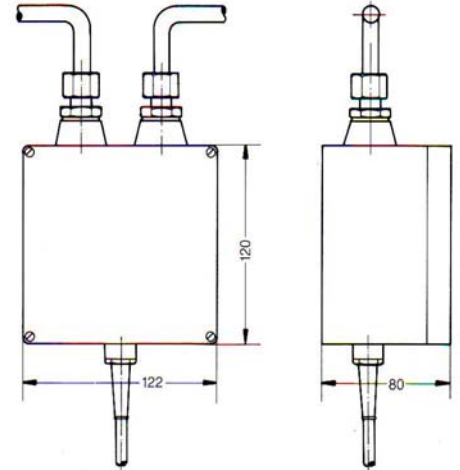
Type 2800 + 28 - -
Coil adapter + coil



Type 2400.-- / 2500.--
Remote electronics
(see sep. data-sheet)



Type 2250.-- / 2350.--
Compact unit



weber

Sensors GmbH Strohdeich 32
Sensors Ltd. 66 Eastbourne Road, Southport
Sensors LLC. 4462 Bretton Court, Building 1, Suite 7

DE-25377 Kollmar
Merseyside PR8 4DU, UK
Acworth, Georgia 30101, USA

Tel.: +49 (0)4128 - 591 · Fax: - 593
Tel.: +44 (1704) - 551684 · Fax: - 551297
Tel.: +1 (770) 592 - 6630 · Fax: - 592 6640

www.captor.de
info@captor.de
sales@captor.co.uk
sales@captor.com